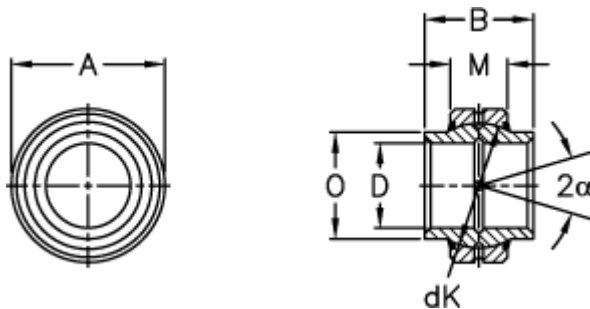


Article number: 03503030

Description: Fluro Rod end GE 30HO-2RS

Measures



A	= 47 0 -0,011	Tilt angle = 3
B	= 30	Weight = 150
D	= 30 0 -0,010	
dK	= 40.7	
Dynamic load C (kN)	= 62	
M	= 18	
O	= 34.2	
Static load C0 (kN)	= 310	